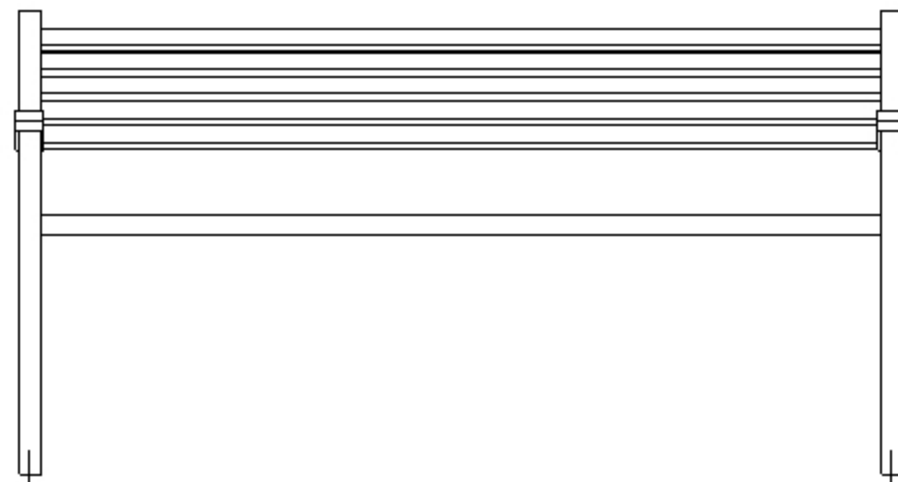


TOP VIEW

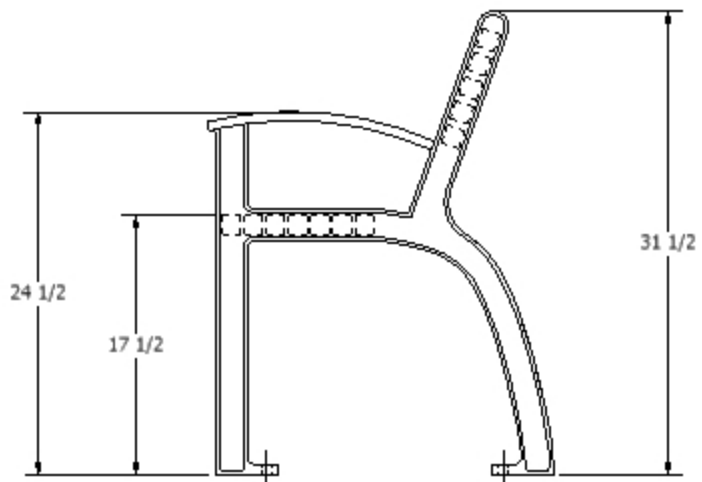
60 1/2

23 1/2



FRONT VIEW

58 1/2



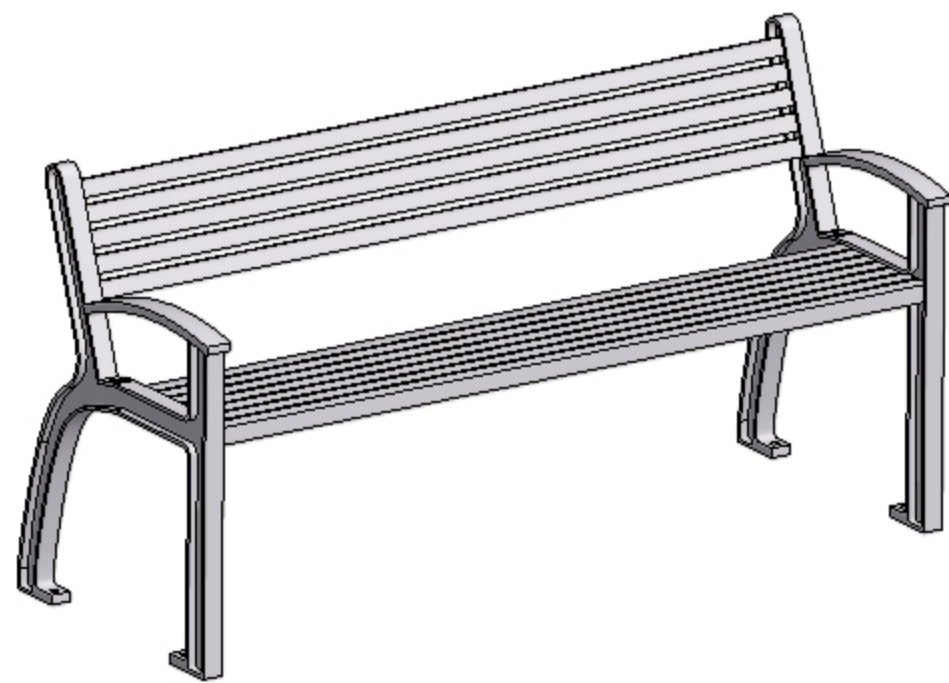
LEFT SIDE VIEW

24 1/2

17 1/2

31 1/2

16 1/16



DRAWN	SAR	1/25/2010
CHECKED		
CUSTOMER SIGNATURE		
MFG		
APPROVED		
<small> I HEREBY CERTIFY THAT THE DRAWING IS A TRUE AND CORRECT REPRESENTATION OF THE DESIGN AND CONSTRUCTION OF THE PART OR PARTS THEREOF AS SHOWN ON THE DRAWING AND AS APPROVED BY ME OR BY ANOTHER PERSON AUTHORIZED BY ME TO SIGN FOR ME. </small>		



TITLE		
BESELT PARK BENCH - ALL ALUMINUM		
SIZE	DWG NO	REV
C	BAL-5W	
SCALE	SHEET 1 OF 1	